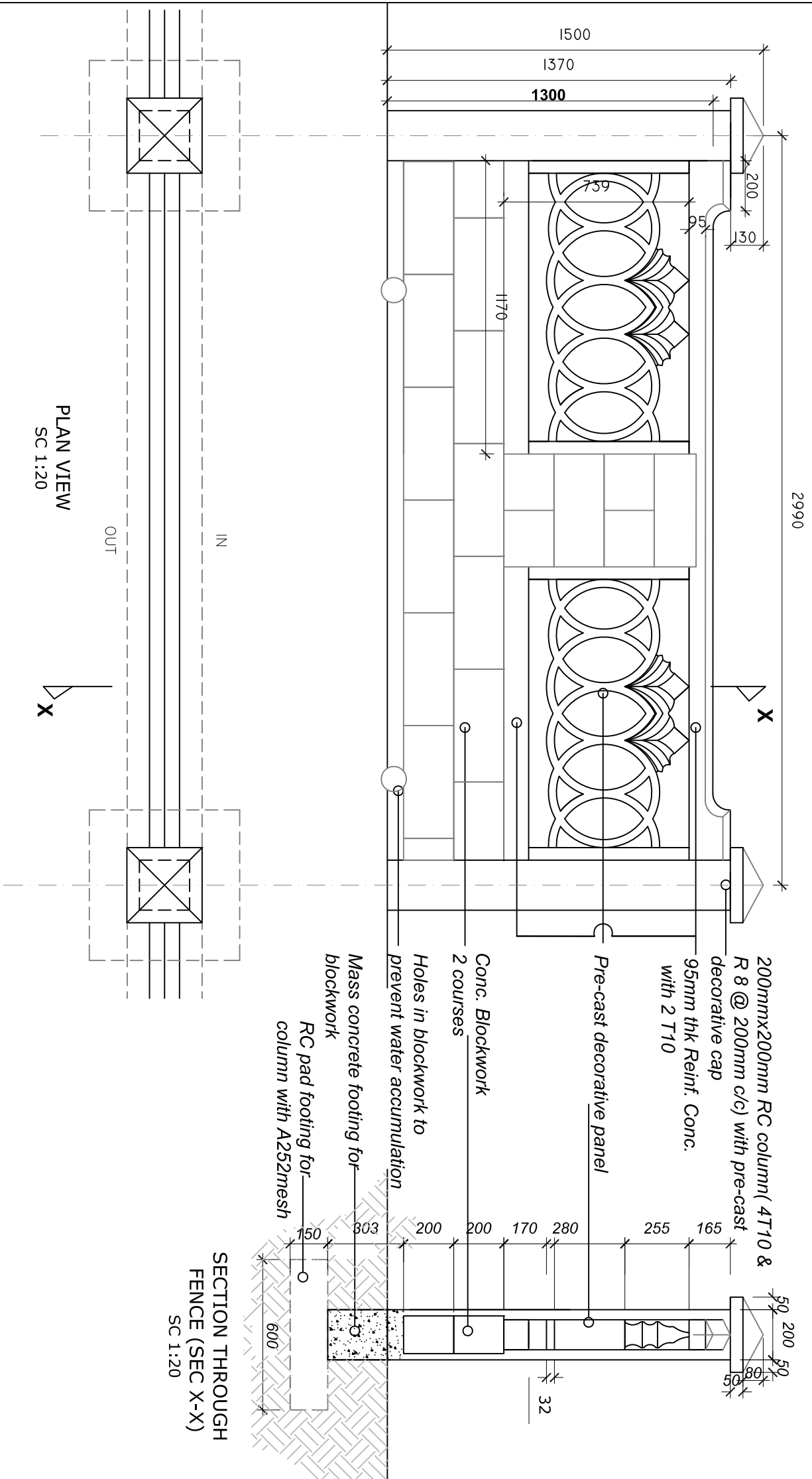
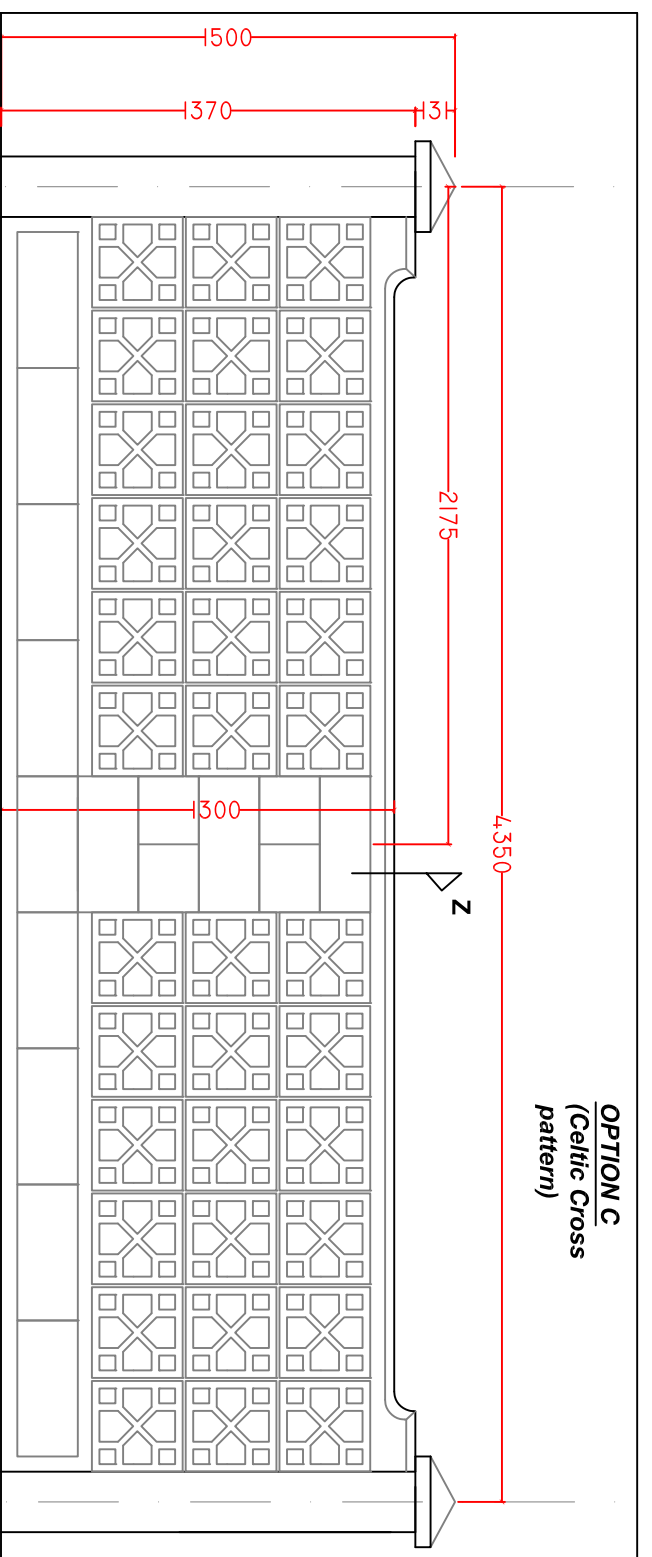
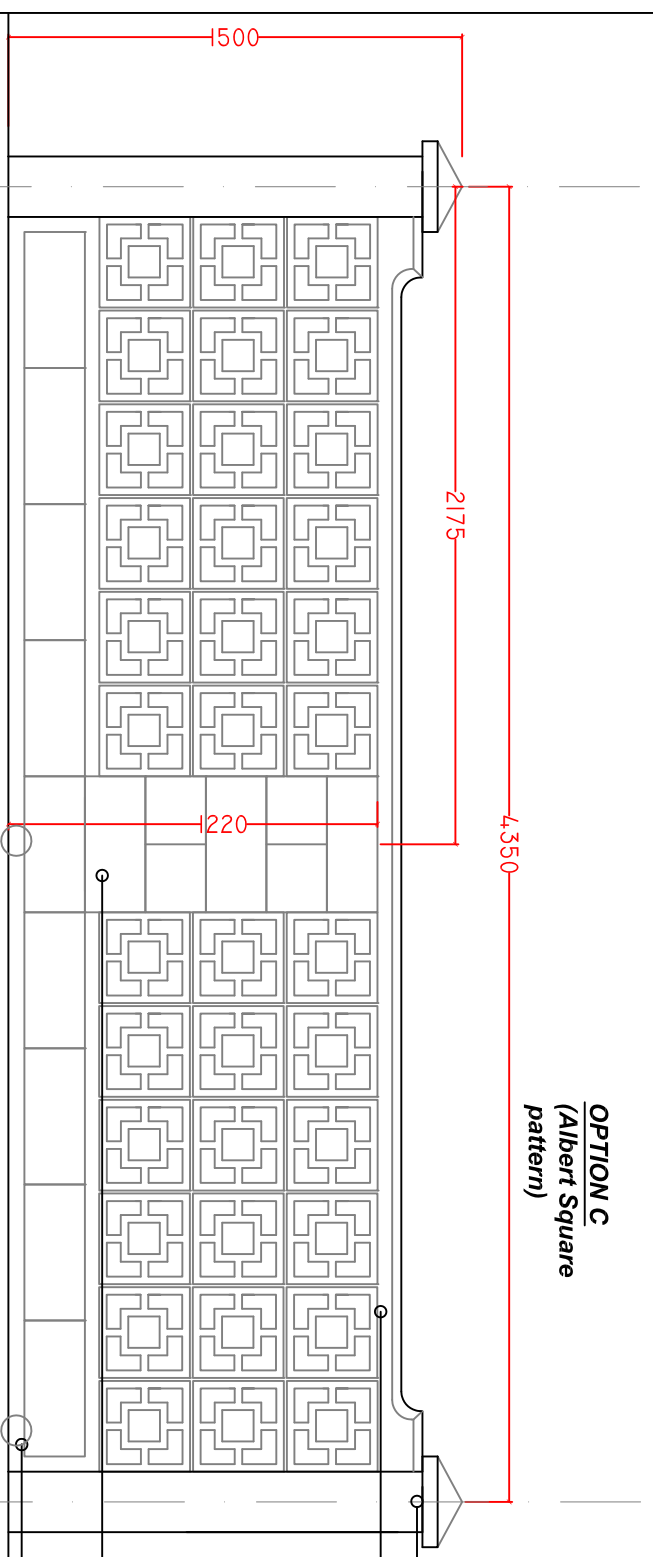


OPTION B

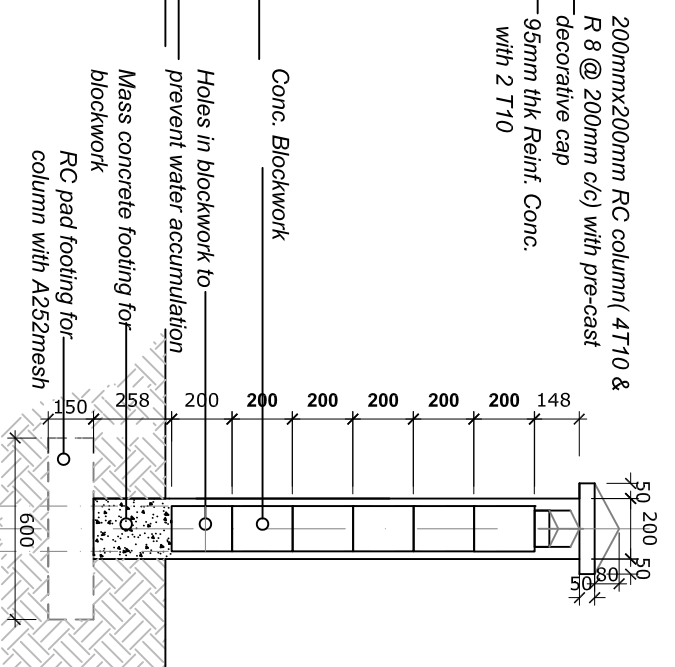




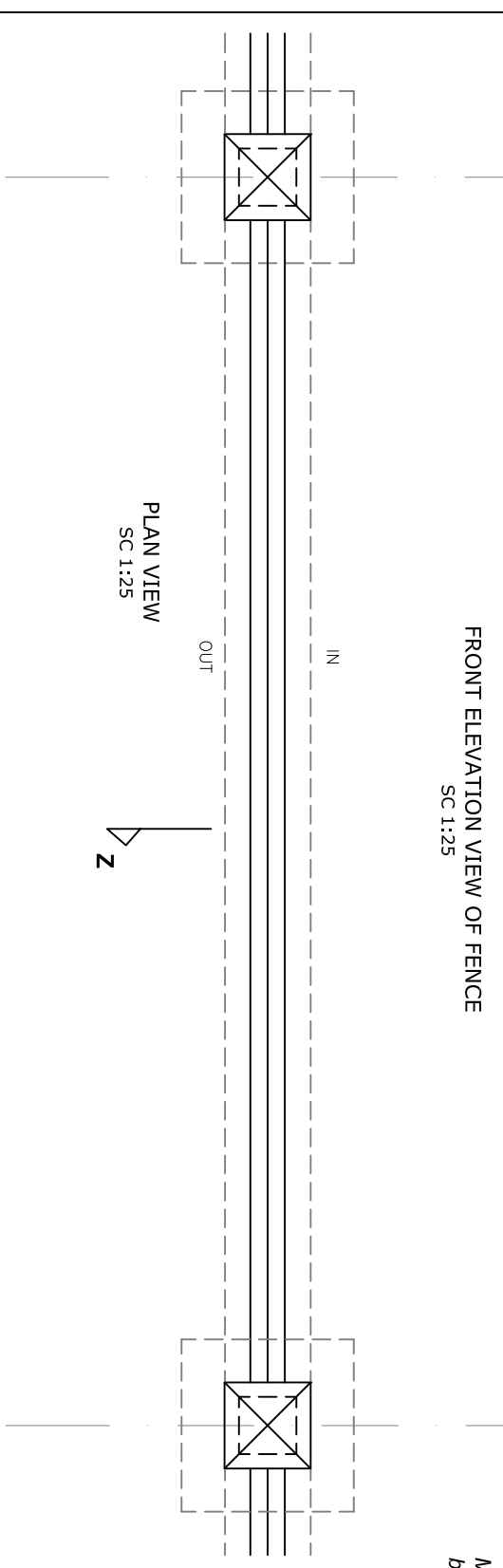
OPTION C
(Celtic Cross pattern)



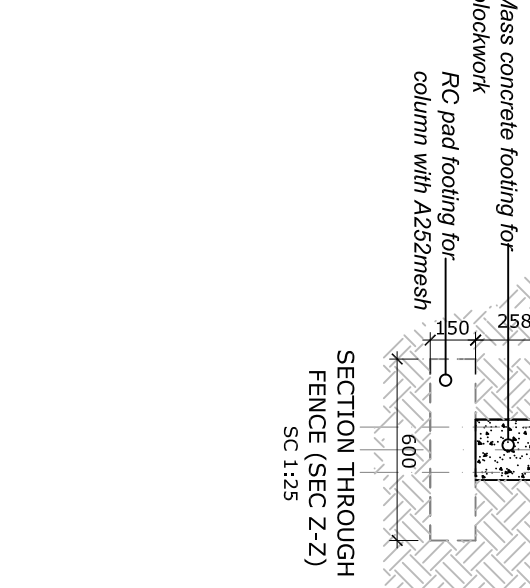
OPTION C
(Albert Square pattern)



SECTION THROUGH FENCE (SEC Z-Z)
SC 1:25



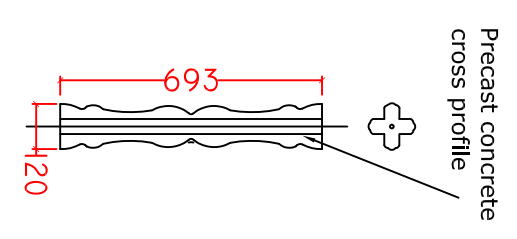
FRONT ELEVATION VIEW OF FENCE
SC 1:25



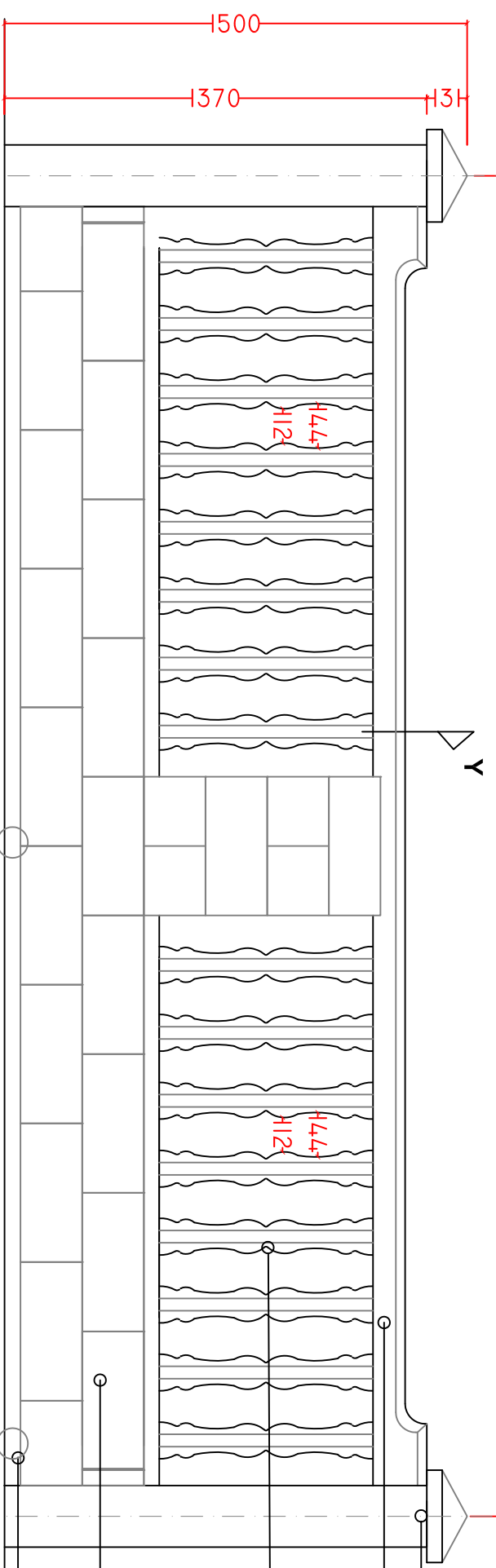
PLAN VIEW
SC 1:25



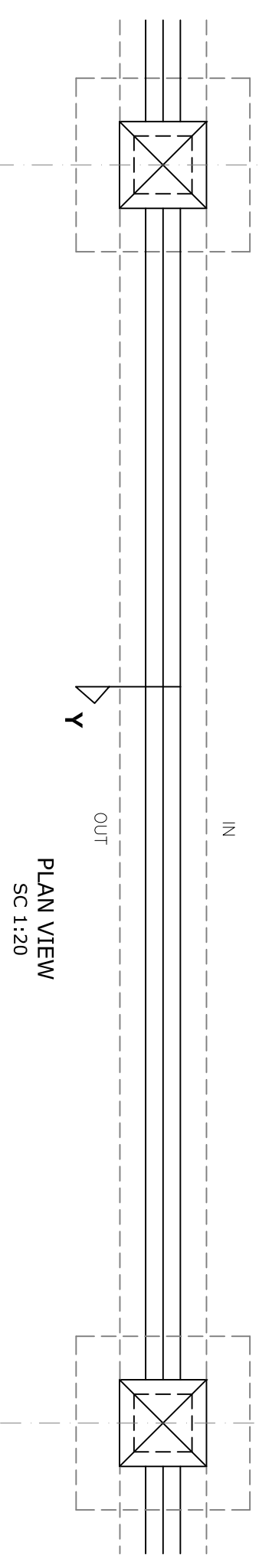
N
OUT



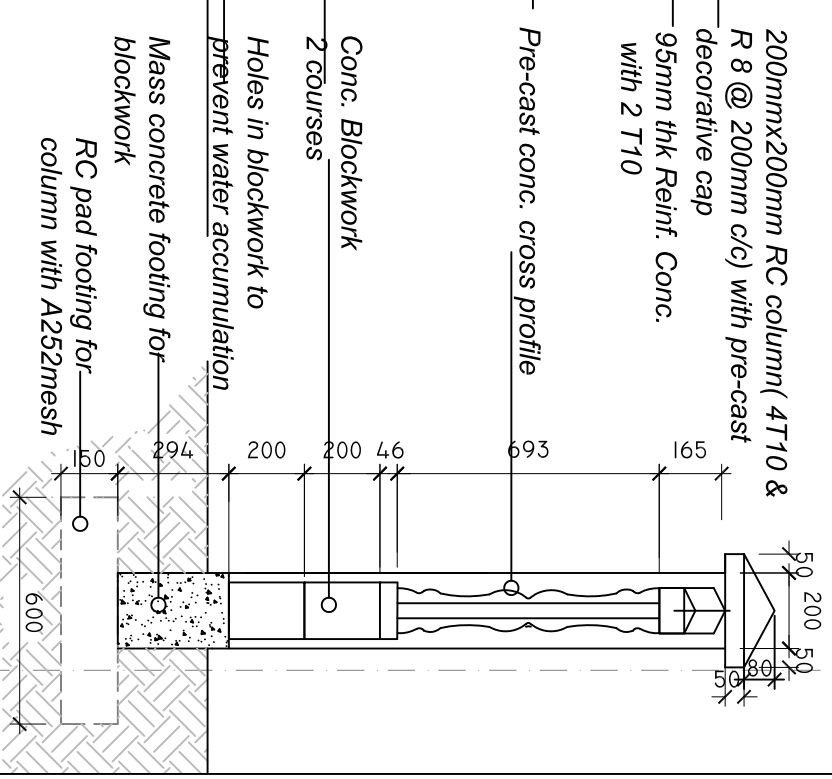
OPTION D
4,350



FRONT ELEVATION VIEW OF FENCE
SC 1:20



PLAN VIEW
SC 1:20



SECTION THROUGH FENCE (SEC Y-Y)
SC 1:25

200mmx200mm RC column (4T10 & R 8 @ 200mm c/c) with pre-cast decorative cap
95mm thk Reinf. Conc. with 2 T10

Pre-cast conc. cross profile

Conc. Blockwork 2 courses

Holes in blockwork to prevent water accumulation

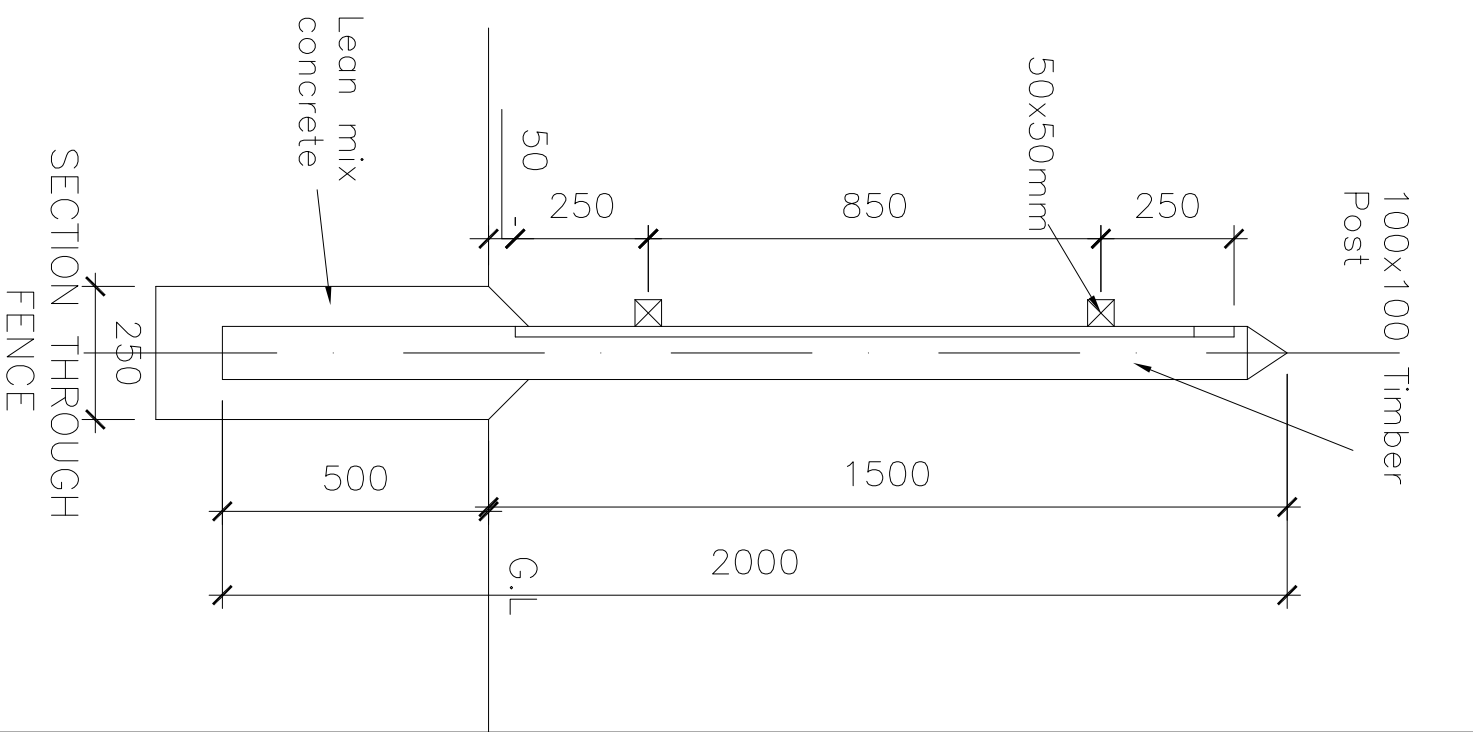
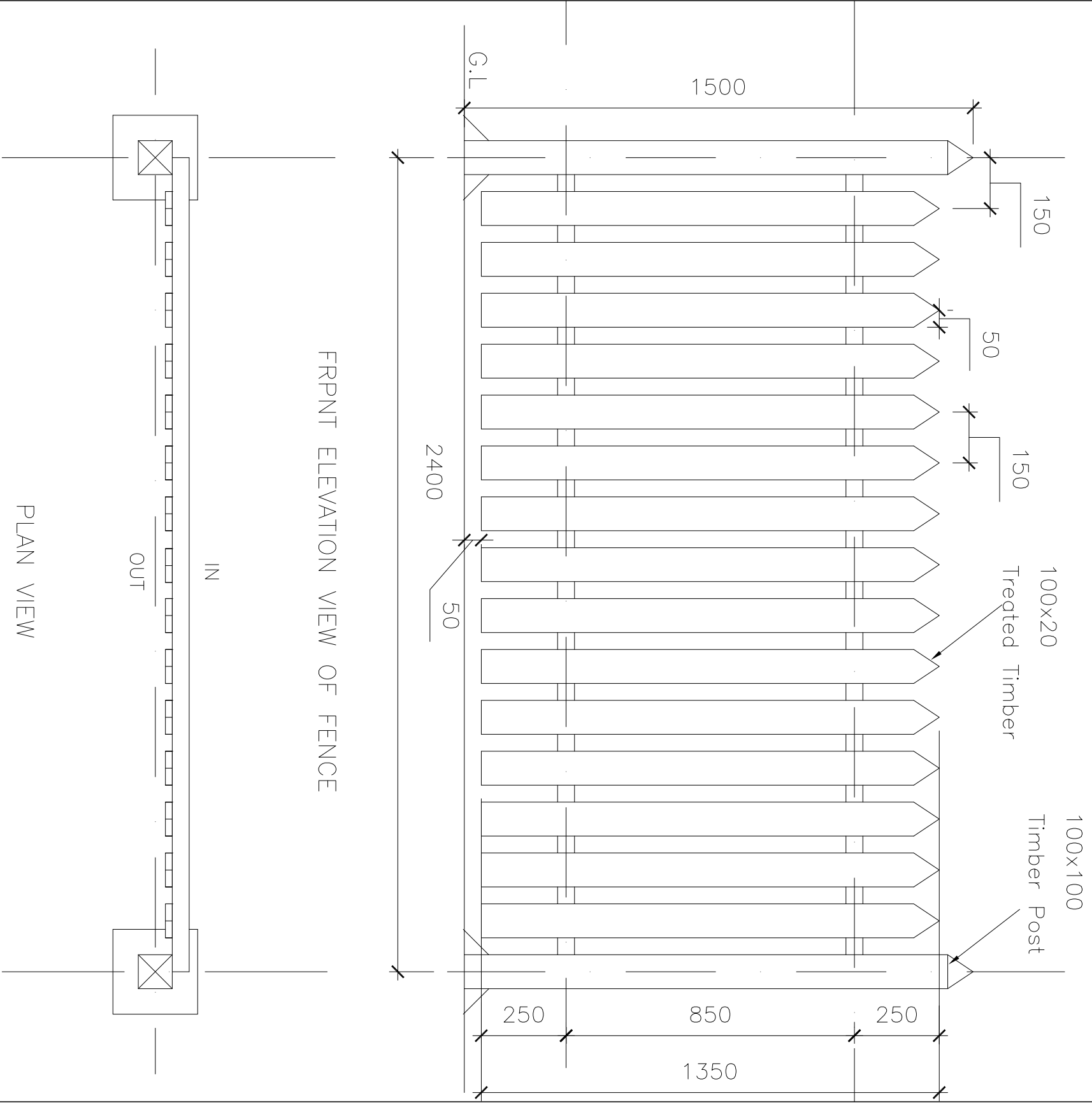
Mass concrete footing for blockwork

RC pad footing for column with A252mesh

200 200 46 693 165 50 200 50 50 50

294 150 600

NOTES



REV	DATE	AMENDMENT	BY
A	4/02/14	ADDITIONAL DETAILS	ESAVY

DATE: JULY 2012
SCALE: 1:15
DRAWN BY: ESAVY
CHECKED BY: R.DIDDON
PROJECT: PERS./FENCE/01

MINISTRY OF LAND USE & HOUSING
PROJECT IMPLEMENTATION UNIT
Copyright © Worldwide M.L.U./P.L.U. - SRYOHELISS.
ILE PERSEVERANCE HOUSING PROJECT

DETAILS
PICKET FENCE DETAIL